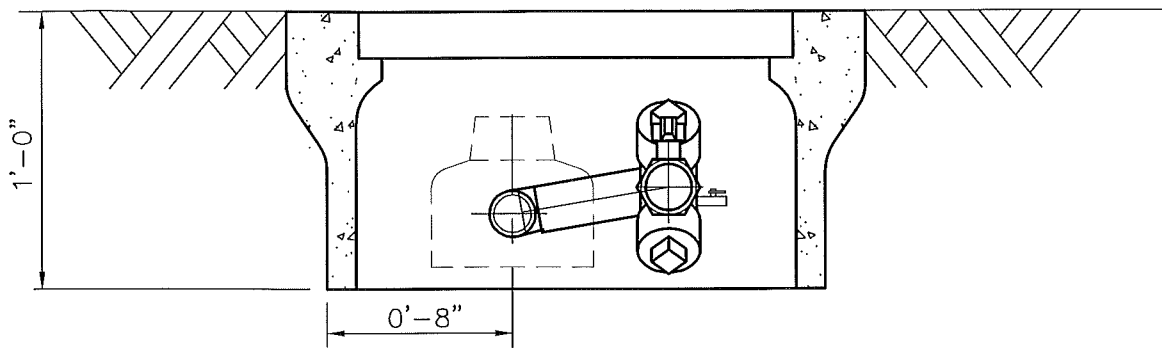
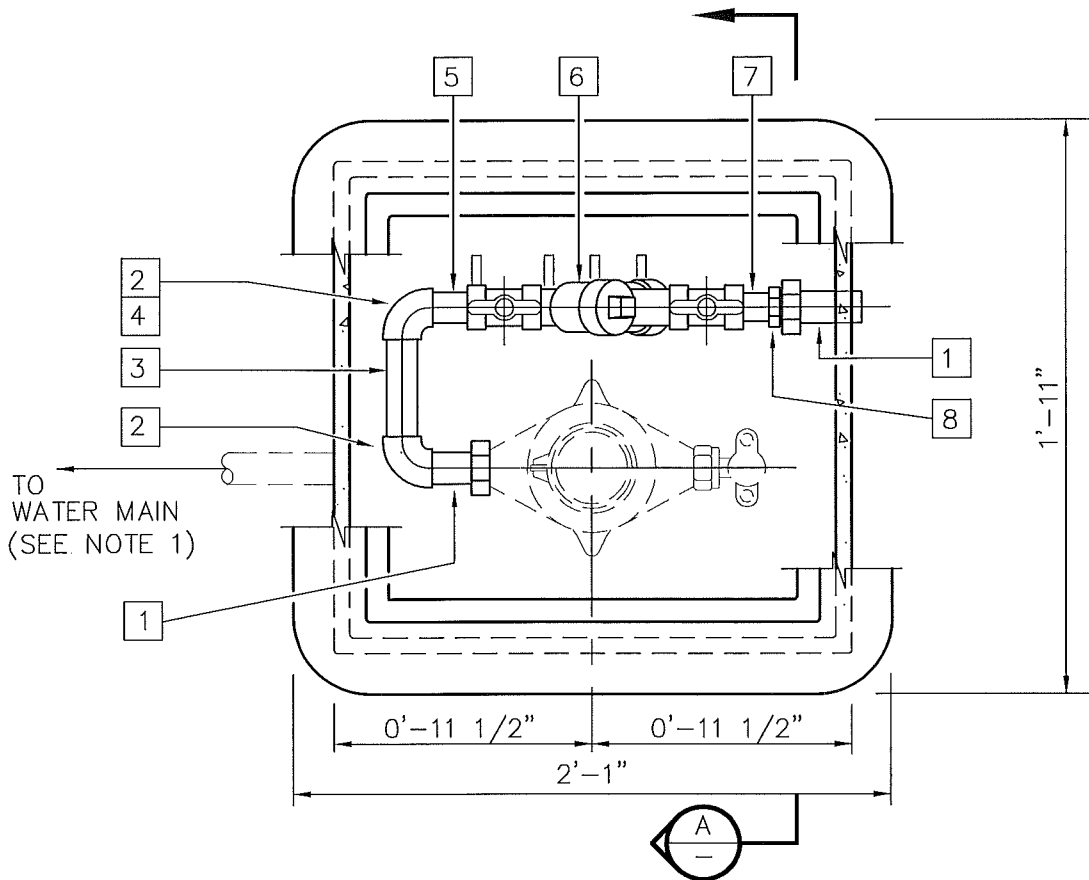


Jun 12, 2013 - 2:37pm W:\JOB\MISC\STD\18_rev3.dwg User: ACANTILLER



SECTION A



PARTS LIST		METER SIZE	
1	METER COUPLING (BRASS)	3/4"	1"
2	90° ELBOW (BRASS)	3/4"	1"
3	LONG NIPPLE (BRASS)	6" LONG	6" LONG
4	90° STREET ELBOW (BRASS)	N/A	1"
5	NIPPLE (BRASS)	3" LONG	N/A
6	DOUBLE CHECK BACKFLOW PREVENTER (WILKINS 350XL OR APPROVED EQUAL)		
7	CLOSE NIPPLE (BRASS)	1 1/2" LONG	2" LONG
8	BUSHING (BRASS)	3/4"x1"	1"x1-1/4"

NOTES:

- 1) FOR WATER SERVICE INSTALLATION REFER TO NMWD STD.15
- 2) BELOW GRADE BACKFLOW PREVENTER ASSEMBLY IS NMWD INSTALLED. REFER TO NMWD TECHNICAL SPECIFICATION SECTION 15112.

NORTH MARIN WATER DISTRICT
NOVATO, CALIFORNIA

**BELOW GRADE BACKFLOW PREVENTER
3/4" AND 1"**

APPROVED	DATE	REV.	STD. NO.
<i>[Signature]</i>	03/26/2013	3	18