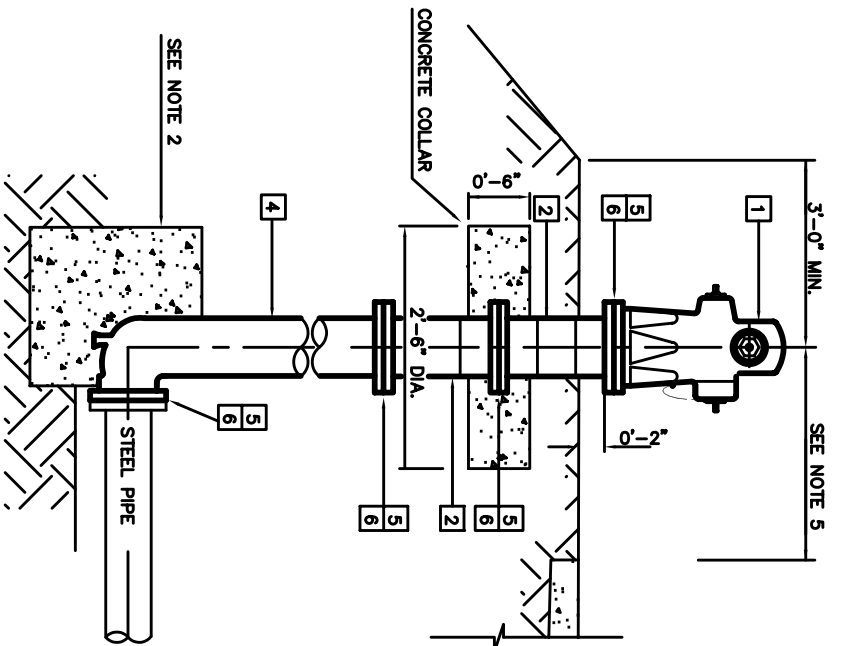


**NOTES:**

- 1) FOR VALVE RISER REFER TO NAWD STD.2
- 2) FOR CONCRETE THRUST BLOCKING REFER TO NAWD STD.3
- 3) BEFORE BACKFILLING, WRAP FLANGES AND BOLT RINGS WITH 10 MIL TAPE.
- 4) PRIME AND COAL TAR WRAP EXPOSED STEEL PIPE.
- 5) ALONG STREETS WITH NO CURB OR SIDEWALK FIRE HYDRANT SHALL BE INSTALLED 2'-6" AWAY FROM EDGE OF PAVEMENT.
- 6) FOR FIRE HYDRANT MATERIALS REFER TO NAWD SPECIFICATION P-3.
- 7) INSTALL FIRE HYDRANT SO THAT LARGEST OUTLET FACES STREET.

THIS STANDARD REPLACES NAWD STD-A-10, STD-A-11, STD-A-30



**STEEL PIPE HYDRANT LATERAL**

**PARTS LIST:**

1	6" FIRE HYDRANT
2	6"x6" LONG HYDRANT EXTENSION WITH BREAKAWAY RING (AS REQ'D)
3	6"x6"x36" LONG BURY POX*
4	6"x6"x36" LONG BURY FF
5	6" GASKET
6	5/8"x3/4" 316 S.S. BOLTS & NUTS

NORTH MARIN WATER DISTRICT  
NOVATO, CALIFORNIA

**TYPICAL FIRE HYDRANT INSTALLATION**

APPROVED	DATE	REV.	STD. NO.
	7/19/02	1	5