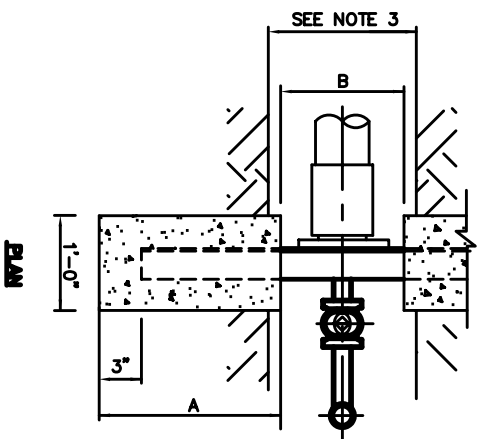


**CONCRETE BLOCK AND LENGTH FOR ANGLE OR CHANNEL IRON**

MAIN PIPE	CONCRETE BLOCK		ANGLE IRON	CHANNEL IRON	LENGTH
	A	B			
4	0'-9"	0'-10"	L 2 x 2 x 1/4	C 4 x 5.40	2'-4"
6	1'-4"	1'-0"	L 3 x 3 x 3/8	C 5 x 9.00	3'-8"
8	1'-10"	1'-2"	L 3 x 3 x 3/8	C 5 x 9.00	4'-10"
10	2'-3"	1'-6"	L 4 x 4 x 3/8	C 5 x 6.70	6'-0"
12	2'-8"	1'-8"	L 4 x 4 x 3/8	C 5 x 6.70	7'-0"
14	3'-0"	1'-10"	L 5 x 5 x 3/8	C 6 x 10.50	7'-10"
16	3'-5"	2'-0"	-	C 7 x 12.25	8'-10"
18	3'-9"	2'-2"	-	C 7 x 12.25	9'-8"



- NOTES:**
- 1) FOR VALVE RISER REFER TO NMD STD. 2
  - 2) FOR CONCRETE THRUST BLOCKING REFER TO NMD STD. 3
  - 3) FOR TRENCH SECTION REFER TO NMD STD. 1
  - 4) SEE TABLE FOR ANGLE OR CHANNEL IRON LENGTH AND CONCRETE RESTRAINT.
  - 5) INSTALL HAND TIGHT.
  - 6) BEFORE BACKFILLING, PRIME COAL TAR WRAP BRASS NIPPLES, GATE VALVE AND ANGLE OR CHANNEL IRON, AND FINAL WRAP WITH 2" WIDE 10 MIL TAPE. CHANNELS ARE DESIGNATED BY HEIGHT TIMES WEIGHT PER FOOT.
  - 7) BACKFILL WITH SAND OR GRAVEL TO THE BOTTOM OF COUPLING IN BLOW-OFF RISER.
  - 8) WRAP ALL BRASS W/2" WIDE 10 MIL TAPE.
  - 9) ADD BRASS NIPPLES TO EXTEND TO FINISH GRADE AS NEEDED.

**PARTS LIST**

1	2"x6" LONG NIPPLE (BRASS)
2	2"x3/8" LONG NIPPLE (BRASS)
3	2" GATE VALVE G.I.
4	2" 90° ELBOW (BRASS)
5	2"x24" PIPE, BRASS
6	2" COUPLING SXT (BRASS)
7	2" PLUG THREADED (PVC)

NORTH MARIN WATER DISTRICT  
NOVATO, CALIFORNIA

**2" BLOW-OFF ASSEMBLY**  
(FOR 10" MAINS OR SMALLER)

THIS STANDARD REPLACES NMD STD-A-7

APPROVED	DATE	REV.	STD. NO.
	7/19/02	1	6