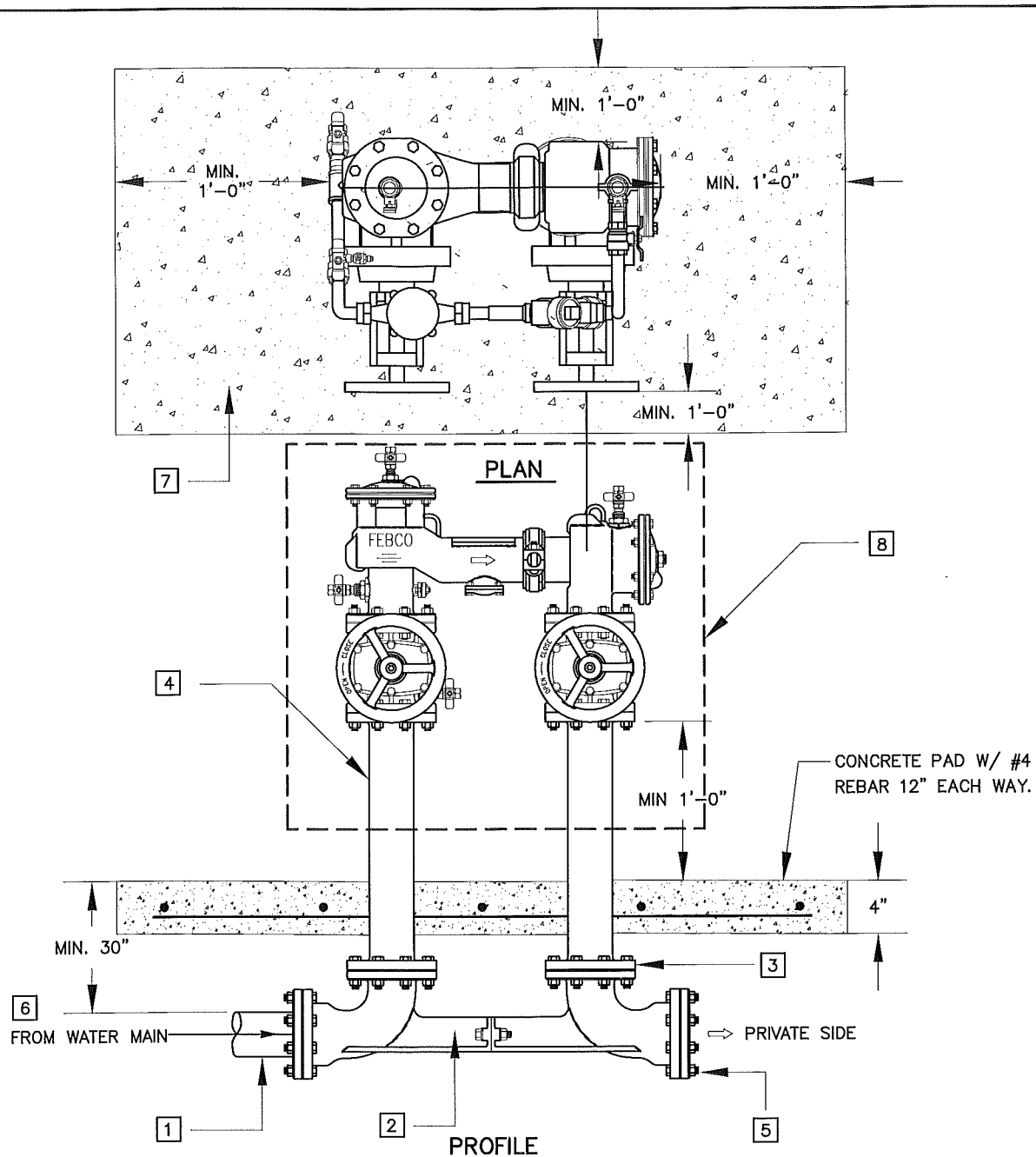


Nov 26, 2014 - 12:02pm R:\wgcen\STANDARD DRAWINGS\17B.dwg User: MCDONOUGH



PARTS LIST:	SIZE OF FIRE SERVICE				
	2-1/2"	3"	4"	6"	8"
1 TRANSITION COUPLING/ FLANGED COUPLING ADAPTER					
2 SETTER, FEBCO MODEL 611 LF FXF					
3 SLIP ON WELD FLANGE					
4 STEEL PIPE, LENGTH VARIES					
5 BLIND FLANGE					
6 DOUBLE CHECK DETECTOR ASSEMBLY WITH OS&Y WHEEL OPERATOR GATE VALVES—FEBCO MODEL NO. 876 VST W/ 5/8" BYPASS METER (CU.FT.)	OR APP'D EQUAL	OR APP'D EQUAL	OR APP'D EQUAL	OR APP'D EQUAL	OR APP'D EQUAL
7 CONCRETE PAD					
8 LOCKABLE FREEZE BAG					

NORTH MARIN WATER DISTRICT
NOVATO, CALIFORNIA

**FIRE SERVICE
ABOVE GROUND
DOUBLE CHECK DETECTOR ASSEMBLY—SIZE 2 1/2" THROUGH 8"**

APPROVED 	DATE 12/1/14	REV. 0	STD. NO. 17B
--------------	-----------------	-----------	-----------------